

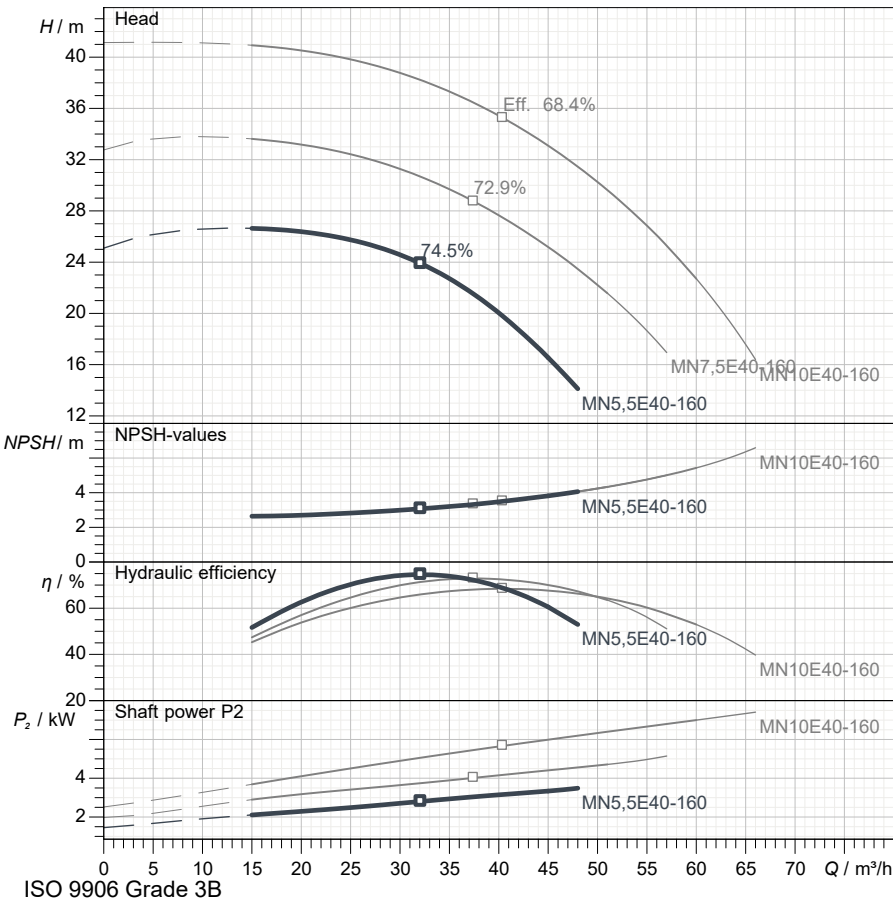
Product description

MN5,5E40-160-2P-50-TB-SS

Pos.no	Description	Item no	Qty.	UP / €	TP / €
1				Price on req.	Price on req.
2	Close-coupled electric pump according to EN 733 (DIN 24255)				
3	Centrifugal pump: MN5,5E40-160-2P-50-TB-SS		1	Price on req.	Price on req.
4	<p>Pump bodies Close-coupled electric pumps in compliance with EN 733 - DIN 24255 standards coupled to IEC sandard electric motors through rigid coupling.</p> <p>Duty point Flow : 40 m³/h / Head : 20 m</p> <p>Pump operating data Impeller diameter : 139 mm / Speed : 2900 1/min Flow : 40 m³/h / Head : 20 m Shaft power P2 : 3.144 kW / Efficiency : 69.33 % Head (Q = 0) : 25.1 m</p> <p>Pump body : Cast iron Impeller : Stainless steel Wear ring : Cast iron Support : Cast iron Coupling : Cast iron Shaft : Stainless steel</p> <p>Max. solid contents : 40 g/m³ Max. water temperature : 90 °C Max. running time with Q=0 : 2 min</p>				
5	Motor: IEC 5,5 - 2		1		
6	<p>Electric motor Three-phase IE3 asynchronous squirrel cage motor.</p> <p>Casing : Aluminium</p> <p>Protection : IP 55 Insulation class : F Number of startings : max 14 Max environment temperature : 40 °C Max altimetric level : 1000 m Weight : 30 kg</p> <p>Frequency : 50 Hz N. poles : 2 P2 : 4 kW U : 230 V In 1/1 : 7.45 A EFF : 88.1 % CosPhi : 0.88</p>				
7	Shaft seal: Gland packing		1		
8	<p>Twiner system® : Stainless steel Stuffing-box packing : Synthetic fibers Shaft protection bushing : Chromed stainless steel</p>				

Technical data

MN5,5E40-160-2P-50-TB-SS



Operating data specification	
Capacity	40 m³/h
Head	20 m
Fluid	Pure water
Type of installation	<Single head pump>

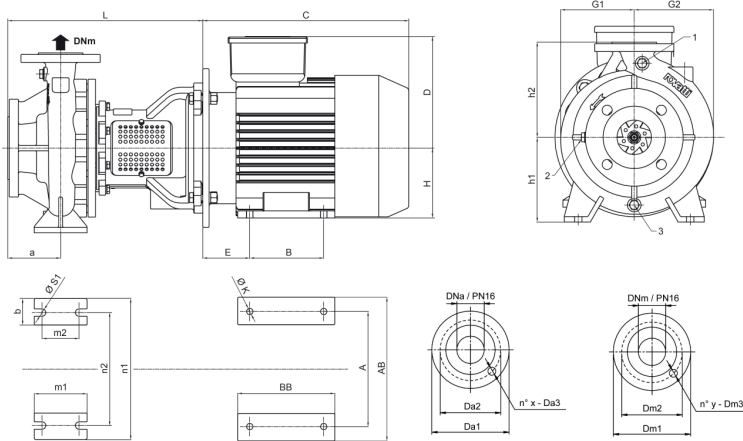
Pump operating data	
Design	MN5,5E40-160-2P-50-TB-SS
Impeller Ø	139 mm
Speed	2900 1/min
Flow	40 m³/h
Head	20 m
Shaft power P ₂	3.14 kW
Efficiency	69.3 %
Head (Q=0)	25.1 m
Non return valve loss	

Electric motor technical data	
Design	IEC 5,5 - 2
Rated power	4 kW
Frequency	50 Hz
Number of poles	2
Nominal speed	2900 1/min
Rated voltage	3~ 230 V
Starting mode	Direct starting
Rated current	7.45 A
Insulation class	F
Degree of protection	IP 55

Use limits	
Max N° startings/hour	14
Max. running time with Q=0	2 min
Max. solids contents	40 g/m³
Max. pumped liquid temperature	90 °C
Maximum density	998 kg/m³
Maximum viscosity	1 mm²/s

Materials	
Pump body	Cast iron
Impeller	Stainless steel
Wear ring	Cast iron
Support	Cast iron
Coupling	Cast iron
Shaft	Stainless steel

Shaft seal	
Twiner system®	Stainless steel
Stuffing-box packing	Synthetic fibers
Shaft protection bushing	Chromed stainless steel

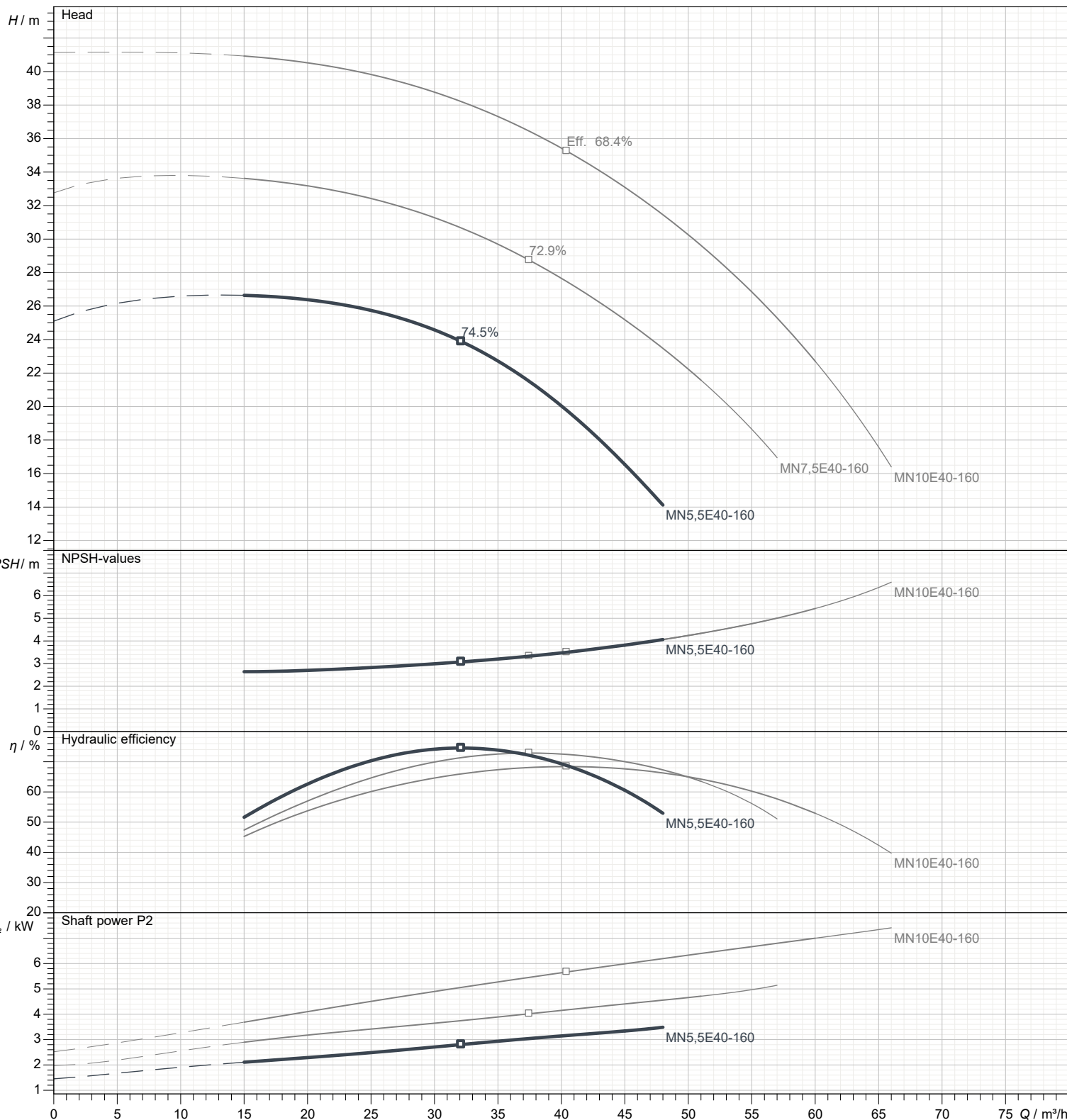


Dimensions in		mm		Total weight		62 kg	
a	80	Da1	185	E	70	m1	100
A	190	Da2	145	G1	118	m2	70
AB	230	Da3	18	G2	130	n1	240
b	50	Dm1	150	H	112	n2	190
B	140	Dm2	110	h1	132	s1	14
BB	180	Dm3	18	h2	160	x	4
C	340	DNa	65	K	12	y	4
D	178	DNrr	40	L	320		

Performance curves

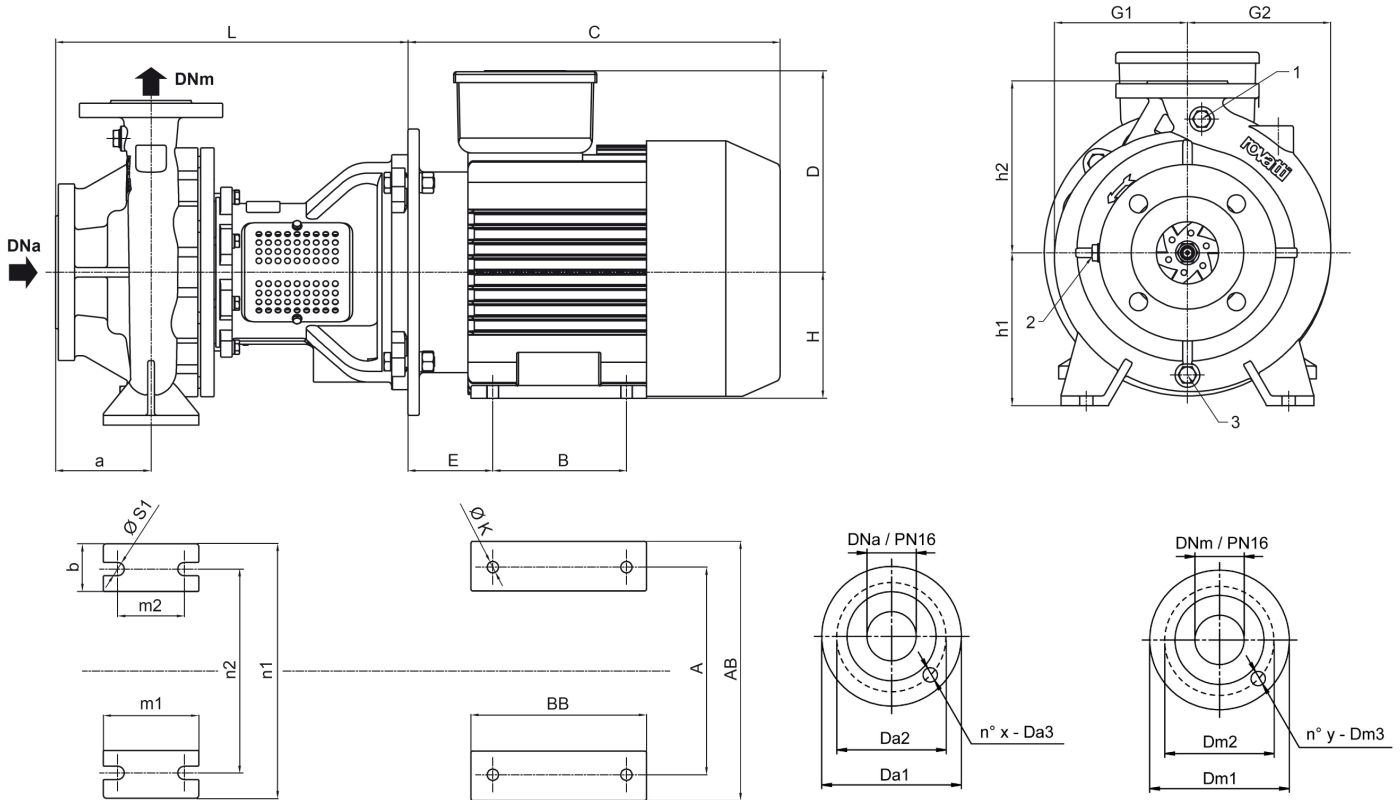
MN5,5E40-160-2P-50-TB-SS

Performances				
Speed		2900 1/min	Density	998 kg/m ³
Flow	Min.	15 m ³ /h	Viscosity	1 mm ² /s
	Max.	45 m ³ /h	Temperature	20 °C
Efficiency	Max.	32.1 m ³ /h	Tolerances	ISO 9906 Grade 3B



Types of installation

MN5,5E40-160-2P-50-TB-SS



Total weight		62 kg	Dimensions in mm	
a	80	h2	160	
A	190	K	12	
AB	230	L	320	
b	50	m1	100	
B	140	m2	70	
BB	180	n1	240	
C	340	n2	190	
D	178	s1	14	
Da1	185	x	4	
Da2	145	y	4	
Da3	18			
Dm1	150			
Dm2	110			
Dm3	18			
DNa	65			
DNm	40			
E	70			
G1	118			
G2	130			
H	112			
h1	132			